

895 Series Feeder EN6047

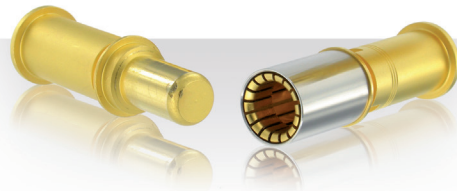


High Power Applications - Up to 260A

Power supply for pylon/engine nacelle electrical interface. Designed to withstand high shocks and vibrations.

Robust connection ■ Screw coupling with self locking system able to withstand the most severe vibrations and shocks.

High power contacts ■ Crimp contacts size 4/0.
260A per contact at 120°C.



Aerospace standards ■ ASNE 0098 compliant.
ASNE 0378 compliant.



Description

- Screw coupling with self locking system
- Power crimp contacts size 4/0 gold plated
- 260A per contact at 120°C
- ASNE 0098 and ASNE 0378 compliant

Technical features

Mechanical

- **Mounting:** Screws
- **Shell:** Steel
- **Plating:** Yellow cadmium
- **Grommet and seal:** Silicon elastomer
- **Insulator:** Thermoset
- **Contact body:** Copper alloy
- **Contact plating:** Gold over nickel
- **Endurance:** 500 mating cycles
- **Shocks:** 300g during 3ms/ 3 directions
- **Vibrations:**
Random 100 to 2000Hz-1G2/Hz

Electrical

- **Number of contacts:** 4 (#4/0)
- **Test voltage:** 1500 Vrms
- **Insulation resistance:** $\geq 5000 \text{ M}\Omega$
- **Contact resistance:** $< 0.23 \text{ m}\Omega$
- **Contact rating:** 260A at 120°C
- **Contact termination:** Crimp

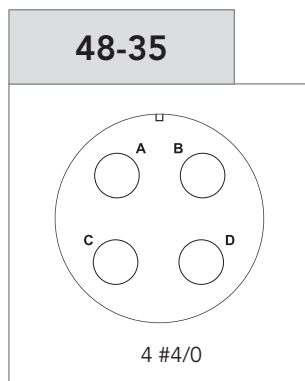
Environmental

- **Temperature range:** -65°C + 200°C
- **Fire proofness and flammability:**
As per EN2591
- **Sealing:** Low air pressure - 15000 m
- **Salt spray:** 48 hours
- **Damp heat:** 10 cycles/24 hours
- **Resistance to fluids:**
MIL-H 5606
MIL-L 7870A
MIL-L 23699
MIL-L 7808
MIL-A 8243
MIL-C 25769
JP5: Skydrol 500 B4; Skydrol 500 LD4
Coolanol: Chlorobromethane

Ordering information

Basic Series	895	00	K	48	35	P	N
Shell type	00: Square flange receptacle 26: Self locking plug						
Class	K: Fire resistant						
Shell size:	48						
Contact layout:	35						
Contact type	P: Male S: Female						
Orientation	N: Normal						
Specification	None: Connector supplied with contact without specification L: Connector supplied without contact						

Contact layouts



ASN-E Cross references

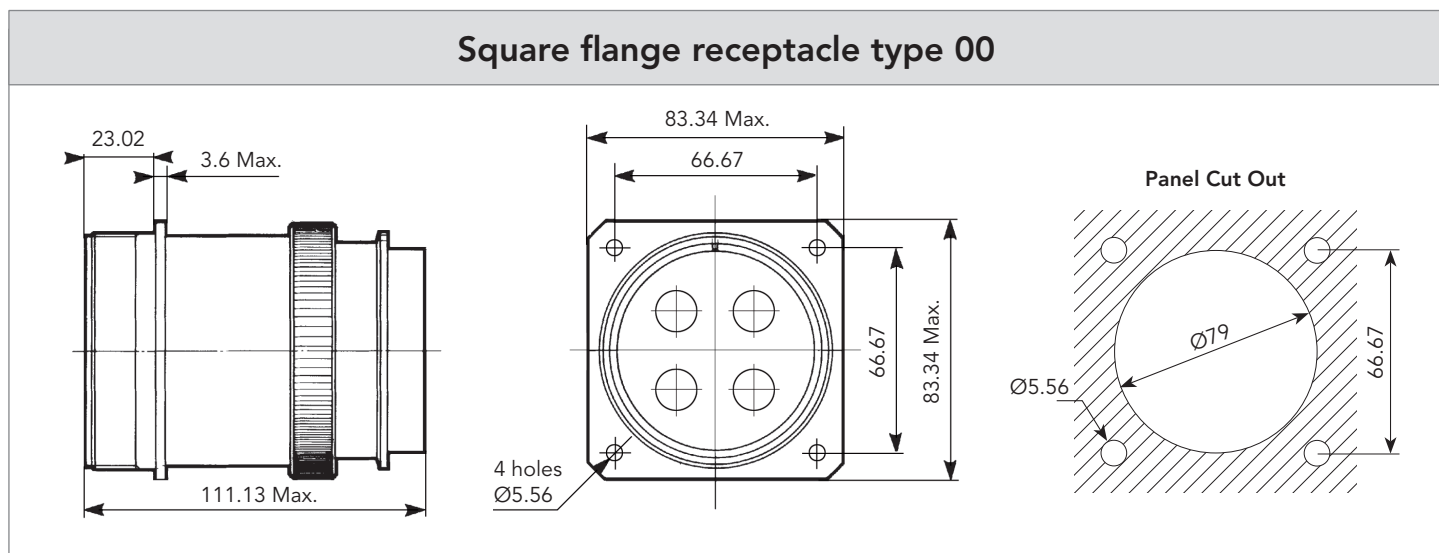
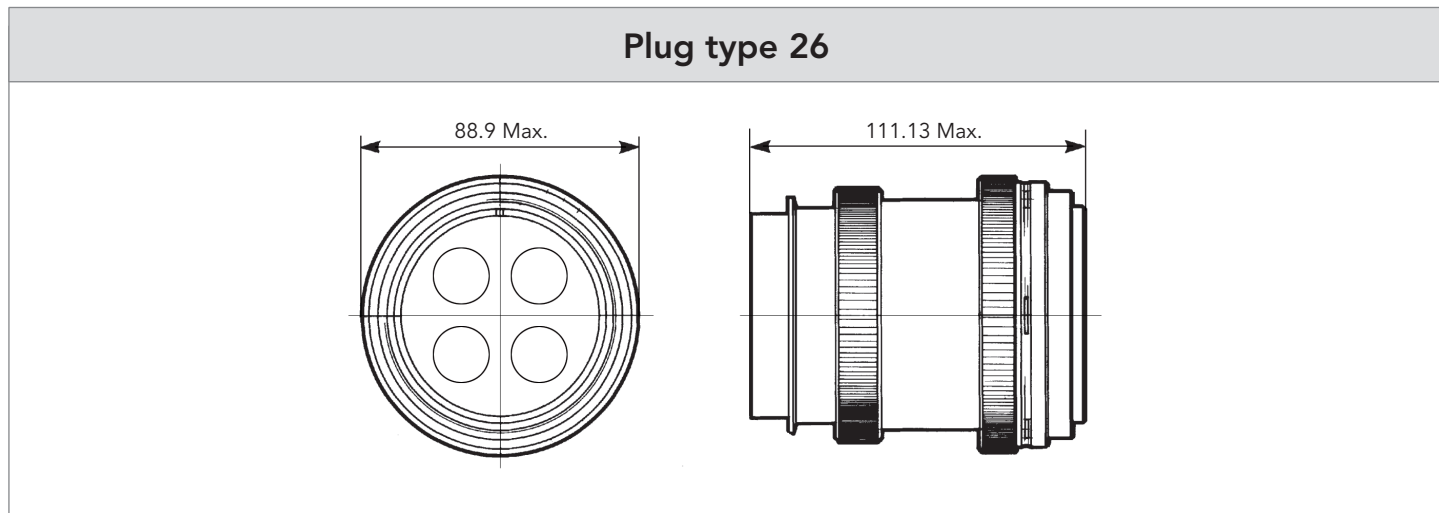
SOURIAU part numbers	AIRBUS part numbers
895 00K 48-35 PN	ASN-E 0098 A 48-35 P
895 00K 48-35 SN	ASN-E 0098 A 48-35 S
895 00K 48-35 PLN	-
895 00K 48-35 SNL	-
895 26K 48-35 PN	ASN-E 0378 A 48-35 P
895 26K 48-35 SN	ASN-E 0378 A 48.35 S
895 26K 48-35 PNL	-
895 26K 48-35 SNL	-

Contacts

Contact size	Contact type	Contact Ø (mm)	Part numbers	Admissible wire section AWG	External Ø over insulation		Profile
					Min.	Max.	
4/0	Male	12.7	8950-5883 NSA 938182 PT 4010	2/0	13.6	14.5	
	Female		8950-6022 NSA 938183 ST 4010				

Note: All dimensions are in millimeters (mm)

Dimensions



Tooling

Contact size	Barrel size AWG	Crimping tool	Head	Locator
4/0	2/0	M22520/23-01	M22520/23-07	M22520/23-16

Cable stripping: L Min: 22.86 mm
L Max: 27.94 mm

Note: All dimensions are in millimeters (mm)

For further information contact us at technical.emear@souriau.com (Europe - Asia - Africa)
technical.americas@souriau.com (North America)
or visit our web site www.souriau.com